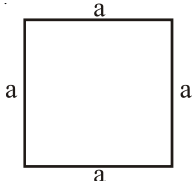
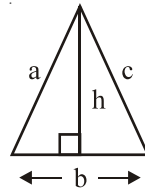


## Chapter—11

# Perimeter and Area

1. Complete the following Table :

<i>Figure with Demension</i>	<i>Area</i>	<i>Perimeter</i>
(a) Square 	.....	.....
(b) .....	$l \times b$	.....
(c) .....	.....	$2\pi r$
(d) Triangle 	.....	.....

2. Fill up the blank :

(i)  $10000 \text{ m}^2 = \dots\dots\dots$  hecture

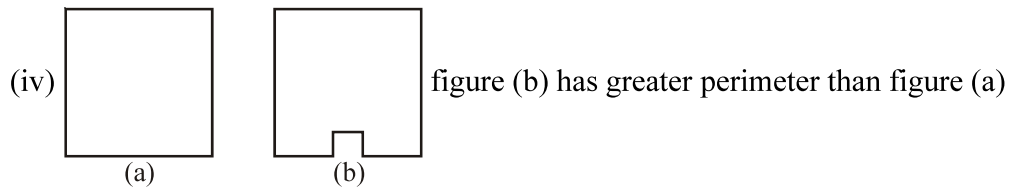
(ii)  $1 \text{ cm}^2 = \dots\dots\dots \text{ m}^2$

(iii)  $1 \text{ m}^2 = \dots\dots\dots \text{ cm}^2$

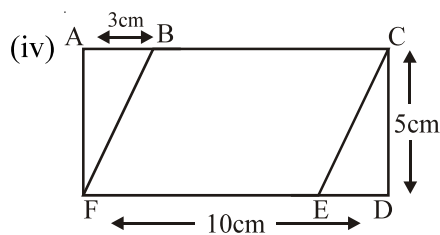
(iv)  $1 \text{ km}^2 = \dots\dots\dots \text{ m}^2$

3. Perimeter of a square park is 2000 m. Find its area.

4. State whether the given statements are True or False:
- (i) All the triangles that are equal in area are congruent.
  - (ii) All congruent triangles are equal in area.
  - (iii) Ratio of the circumference and the diameter of a circle is more than 3.

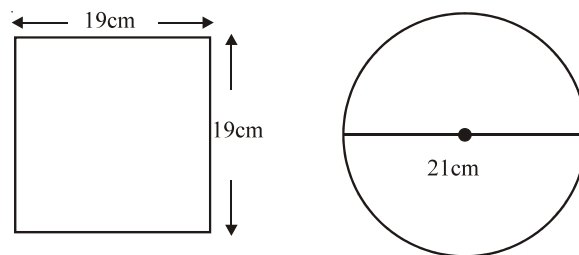


5. Fill up blanks :
- (i) Perimeter of a regular polygon = length of one side  $\times$  .....
  - (ii) The distance around a circle is its .....
  - (iii) If a wire in the shape of the square is rebent into a rectangle, then the ..... of both shapes remain same, but ..... may vary.



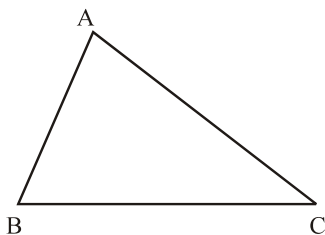
If figure area of parallelogram BCEF is .....  $\text{cm}^2$  where ACDF is a rectangle.

6. A shopkeeper sells two kinds of 'Till Patti'. A square 'Till Patti' of side 19 cm cost ₹ 25 and a circular 'Till Patti' of diameter 21 cm cost ₹ 25 which Till Patti is a better deal and why?

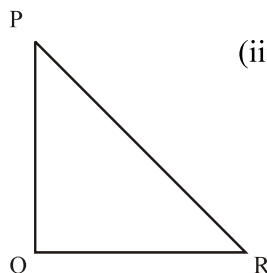


7. After measuring dimension find the area of each of the following triangles using formula, Area =  $\frac{1}{2} \times \text{Base} \times \text{Height}$

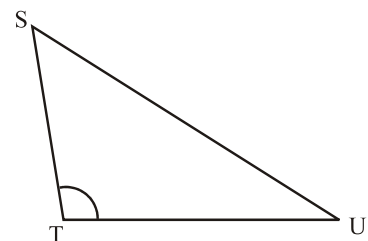
(i)



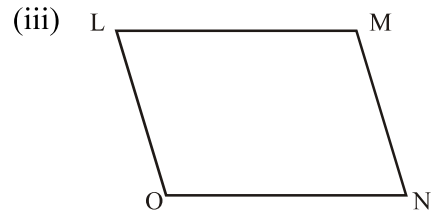
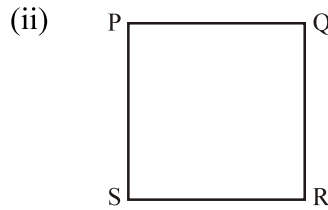
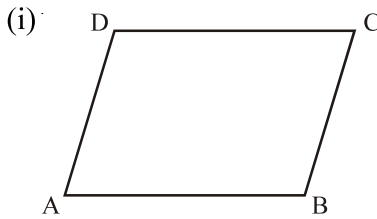
(ii)



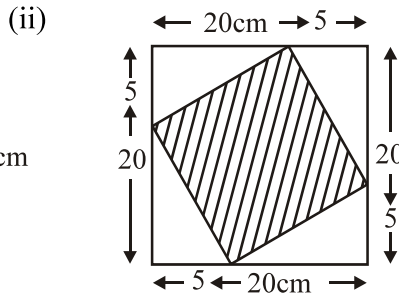
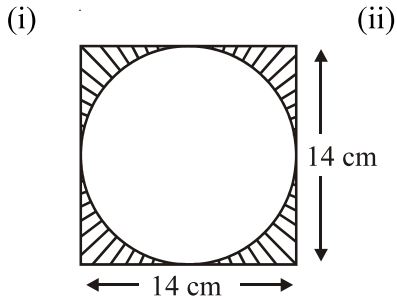
(iii)



8. After measuring dimensions, find the area of each of the parallelogram using formula,  $\text{Area} = \text{Base} \times \text{Height}$



9. Find the area of shaded region in the following figures :



10. The Taj Mahal was created in the 17th century by Emperor Shah Jahan to honour the memory of his beloved wife Mumtaz Mahal. The design of the Taj Mahal is based on the number four and its multiples.

The garden at the Taj Mahal was laid out in four squares of the same size. Each square was divided into four flower beds, with 400 flowers in each bed. How many flowers were in the garden?